

Product Code

Family code	2022
Order code	LV-LDR2022-WW7WIP2027K24D

Technical data

Mounting	Recessed
Installation Position	Ceiling
Light Source	LED
Consumption	7W
LED Source lumens	840 Lm
Delivered lumens	560 Lm
Luminaire luminous efficiency	80 Lm/W
Colour temperature	2700K
Colour rendering index index ty	Ra \geq 90
Beam angle (At 50% of Imax)	24°
LED power supply unit	AC220V
Warranty	5 Years
Life Span	50 000 Hrs

Surface Finishing

Material	Aluminium
Body Colour	White
Reflector Colour	White

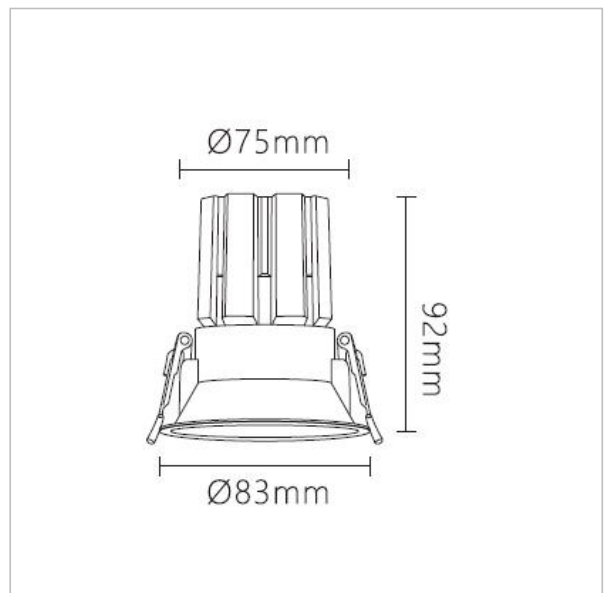
Optical and Visual Confort

Optical Type	Lens
SDCM	\leq 3
Light Distribution Symmetry	Spot
Optical cover material	PC

Product Image



Dimensions



LED

LED brand	OSRAM
LED Model Type.	COB

Driver

Driver brand	OSRAM
THD	≤ 20%
Driver output	/
Driver efficiency	>85%
Power Factor	> 0.93
Dimming	Dali

Safety and Compliance

Protection class IP	IP20
Impact Protection	IK02
Installation Environment	Indoor
Safety	CLASS I
Ambient temperature	-40 +45° C

Product simulation



Light distribution

