

Product Code

Family code	11001F
Order code	LV-LUR11001-SSB24WIP673K8N

Technical data

Mounting	Recessed
Installation Position	Inground
Light Source	LED
Consumption	24 W
LED Source lumens	2400 Lm
Delivered lumens	2160 Lm
Luminaire luminous efficiency	100 Lm/W
Colour temperature	3000K
Colour rendering index index ty	Ra≥80
Beam angle (At 50% of I _{max})	8° / 15° / 25° / 35° / 45°
LED power supply unit	AC220V
Warranty	5 Years
Life Span	50 000 Hrs

Surface Finishing

Material	Aluminium / Tempered step glass T=4mm
Body Colour	Stainless Steel 316
Reflector Colour	Black

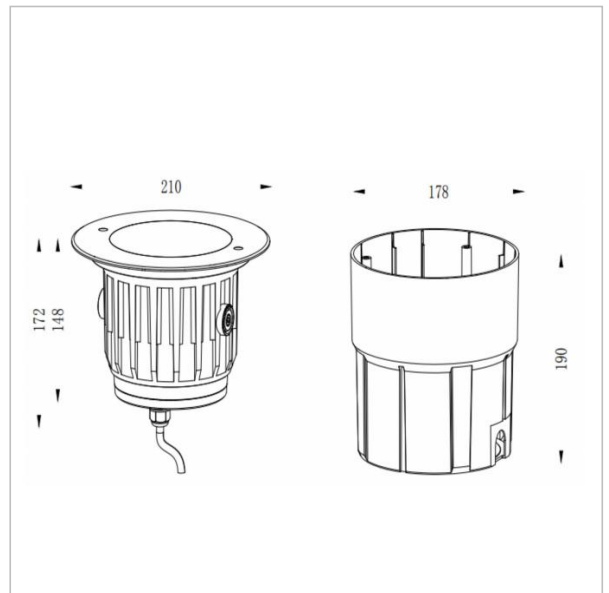
Optical and Visual Confort

Optical Type	Diffuser
SDCM	≤3
Light Distribution Symmetry	Symmetry
Optical cover material	PC

Product Image



Dimensions



LED

LED brand	CREE
LED Model Type.	SMD

Driver

Driver brand	TBC
THD	≤ 21.7 %
Driver output	/
Driver efficiency	≥ 94
Power Factor	> 0.95
Dimming	On/Off - Dali Customized

Safety and Compliance

Protection class IP	IP67
Impact Protection	IK10
Installation Environment	Outdoor
Safety	CLASS I
Ambient temperature	-40 +60° C

Product simulation



Light distribution

